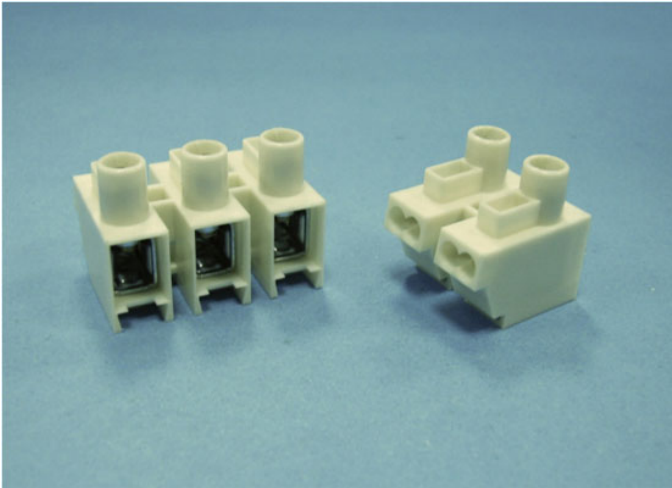


南京诺金电气有限公司

Nanjing Nowking Electric Co., Ltd

端子台样本



产品名称：端子台

规格型号：PAK-1

◆ MATERIAL: PA 66(UL)

◆ FLAME CLASS: 94V-2

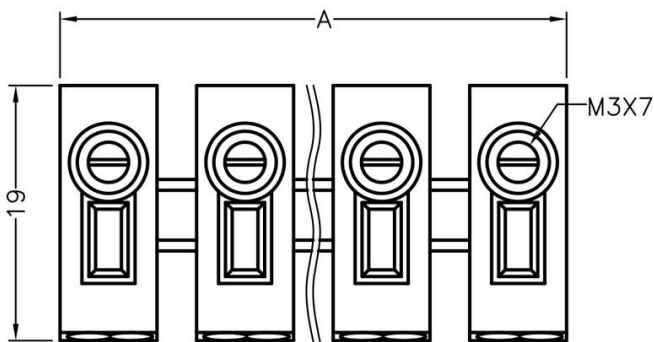
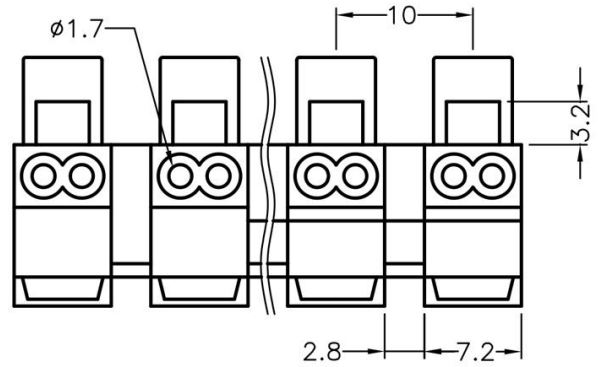
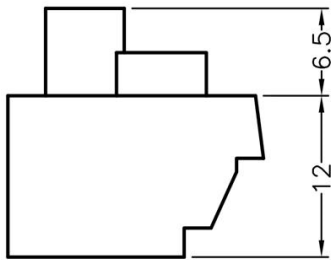
◆ COLOR: NATURAL

◆ UNIT: mm

用途:

使用温度：105°C

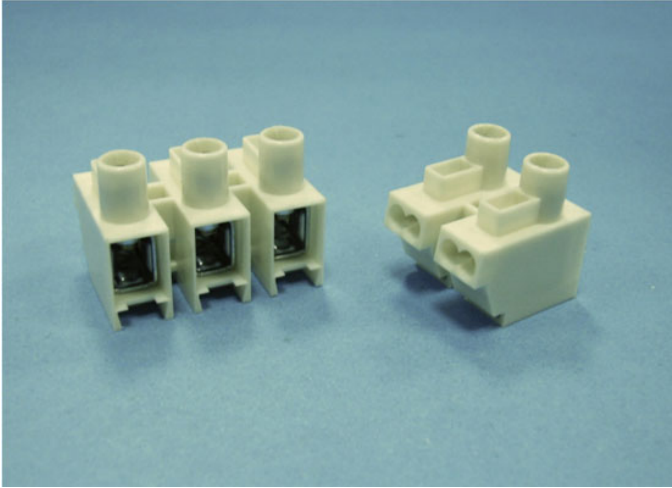
PAK-1 结构图



PART NO	A
PAK-1	17.3

南京诺金电气有限公司

Nanjing Nowking Electric Co., Ltd



产品名称：端子台

规格型号：PAK-2

◆ MATERIAL: PA 66(UL)

◆ FLAME CLASS: 94V-2

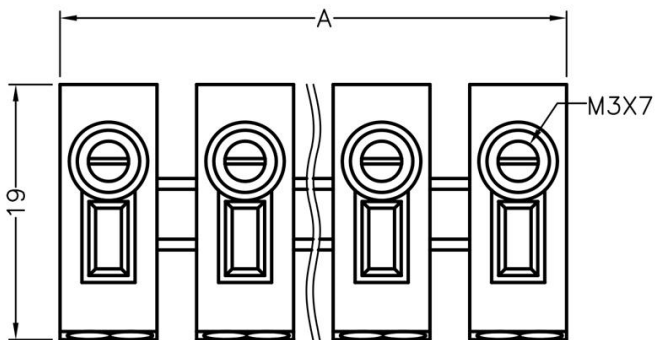
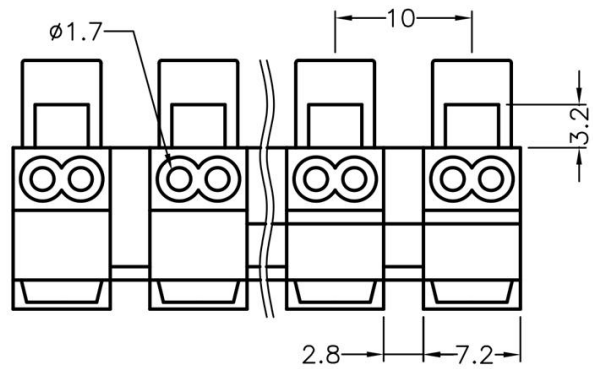
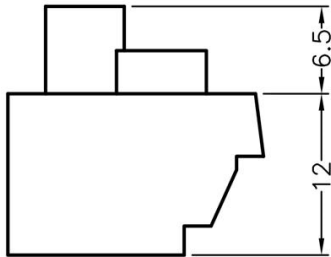
◆ COLOR: NATURAL

◆ UNIT: mm

用途:

使用温度：105°C

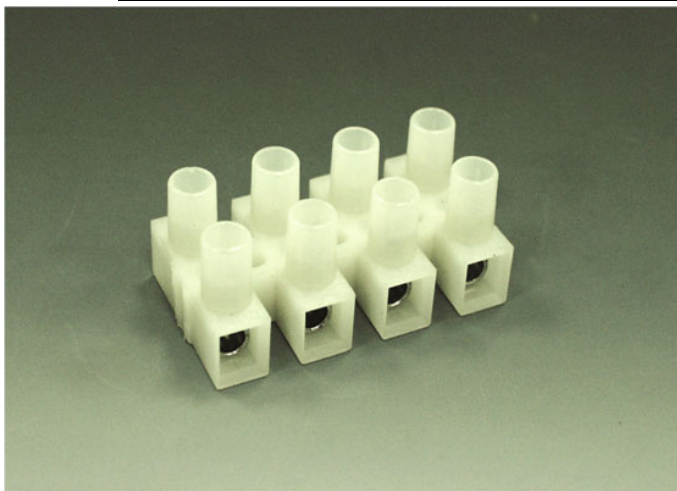
PAK-2 结构图



PART NO		A
PAK-2		27.5

南京诺金电气有限公司

Nanjing Nowking Electric Co., Ltd



产品名称：端子台

规格型号：PAK-3A

◆ MATERIAL: PA 66(UL)

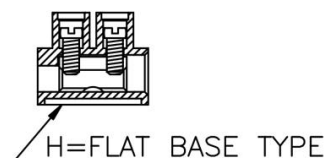
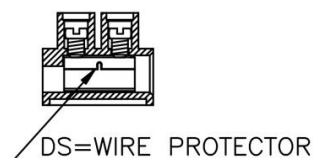
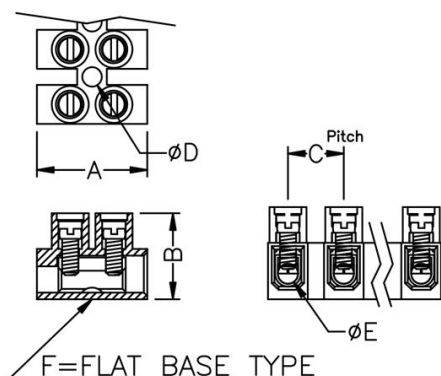
◆ FLAME CLASS: 94V-2

◆ COLOR: NATURAL

◆ UNIT: mm

用途:

PAK-3A 结构图



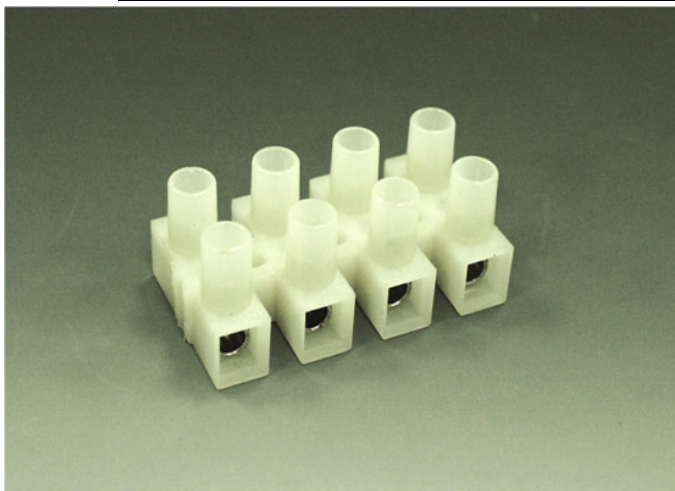
NOTE:
H=FLAT BASE TYPE
DS=WIRE PROTECTOR
F=FLAT BASE TYPE

PART NO.	WIRE RANGE	AMP	VOLT	SCREW	POLES
PAK-3A	1.5 mm ²	17.5	450V	M2.6X5	1~12
PAK-4AB					
PAK-5AC					
PAK-6ABC	2.5 mm ²	24.0	500V	M3.0X6	
PAK-7A					
PAK-8AB					
PAK-9AC	6.0 mm ²	41.0	500V	M3.5X7	
PAK-10ABC					
PAK-11A					
PAK-12AB	10.0 mm ²	57.0	500V	M4.0X9	
PAK-13A					
PAK-14B				M4.0X7	

PART NO	A	B	C	D	E
PAK-3A	17.0	14.5	8.2	2.9	2.8

南京诺金电气有限公司

Nanjing Nowking Electric Co., Ltd



产品名称：端子台

规格型号：PAK-4AB

◆ MATERIAL: PA 66(UL)

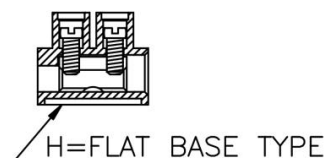
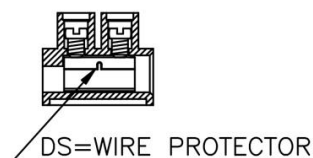
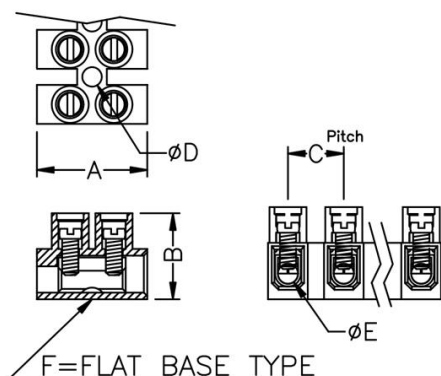
◆ FLAME CLASS: 94V-2

◆ COLOR: NATURAL

◆ UNIT: mm

用途:

PAK-4AB 结构图



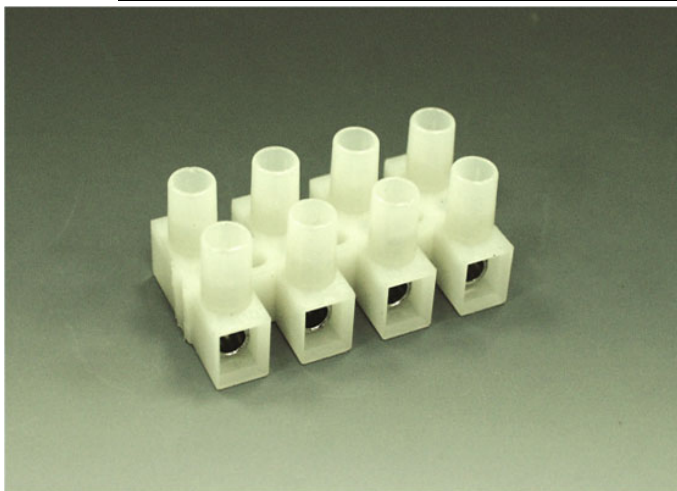
NOTE:
H=FLAT BASE TYPE
DS=WIRE PROTECTOR
F=FLAT BASE TYPE

PART NO.	WIRE RANGE	AMP	VOLT	SCREW	POLES
PAK-3A	1.5 mm ²	17.5	450V	M2.6X5	1~12
PAK-4AB					
PAK-5AC					
PAK-6ABC	2.5 mm ²	24.0	500V	M3.0X6	
PAK-7A					
PAK-8AB					
PAK-9AC	6.0 mm ²	41.0	500V	M3.5X7	
PAK-10ABC					
PAK-11A					
PAK-12AB	10.0 mm ²	57.0	500V	M4.0X9	
PAK-13A					
PAK-14B				M4.0X7	

PART NO	A	B	C	D	E
PAK-4AB	17.0	14.5	8.2	2.9	2.8

南京诺金电气有限公司

Nanjing Nowking Electric Co., Ltd



产品名称：端子台

规格型号：PAK-5AC

◆ MATERIAL: PA 66(UL)

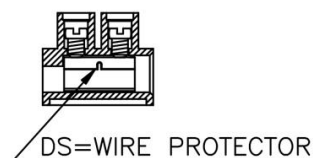
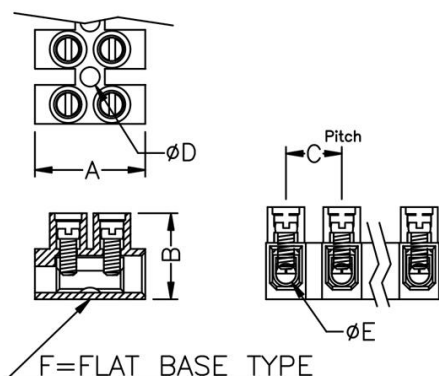
◆ FLAME CLASS: 94V-2

◆ COLOR: NATURAL

◆ UNIT: mm

用途:

PAK-5AC 结构图



NOTE:
H=FLAT BASE TYPE
DS=WIRE PROTECTOR
F=FLAT BASE TYPE

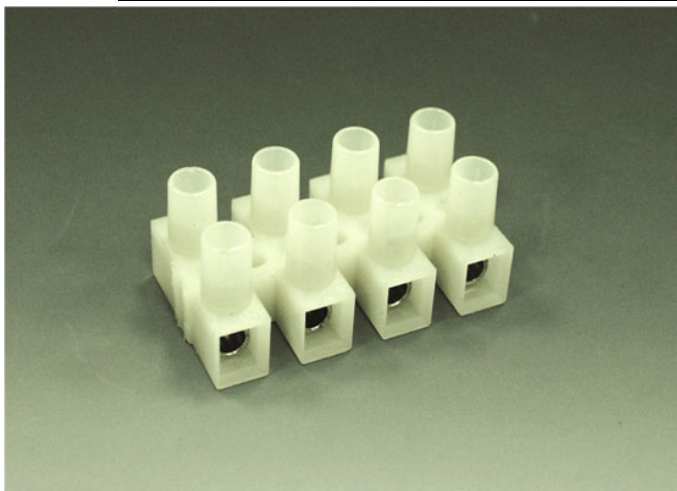


PART NO.	WIRE RANGE	AMP	VOLT	SCREW	POLES
PAK-3A	1.5 mm ²	17.5	450V	M2.6X5	1~12
PAK-4AB					
PAK-5AC					
PAK-6ABC	2.5 mm ²	24.0	500V	M3.0X6	
PAK-7A					
PAK-8AB					
PAK-9AC	6.0 mm ²	41.0	500V	M3.5X7	
PAK-10ABC					
PAK-11A					
PAK-12AB	10.0 mm ²	57.0	500V	M4.0X9	
PAK-13A				M4.0X7	
PAK-14B					

PART NO	A	B	C	D	E
PAK-5AC	17.0	13.5	8.2	2.9	2.8

南京诺金电气有限公司

Nanjing Nowking Electric Co., Ltd



产品名称：端子台

规格型号：PAK-6ABC

◆ MATERIAL: PA 66(UL)

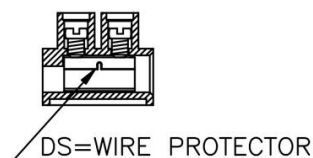
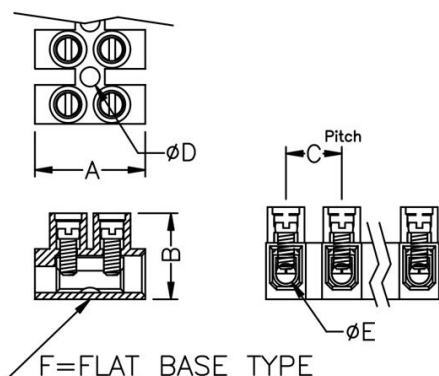
◆ FLAME CLASS: 94V-2

◆ COLOR: NATURAL

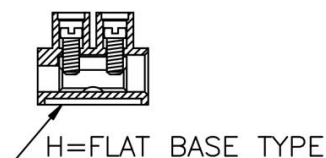
◆ UNIT: mm

用途:

PAK-6ABC 结构图



NOTE:
H=FLAT BASE TYPE
DS=WIRE PROTECTOR
F=FLAT BASE TYPE

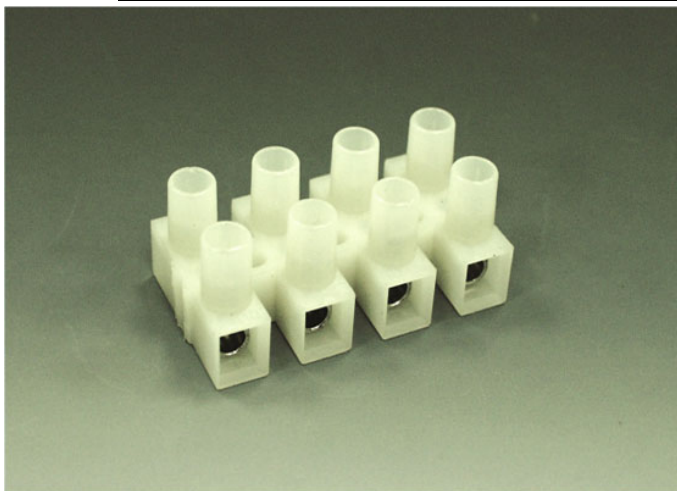


PART NO.	WIRE RANGE	AMP	VOLT	SCREW	POLES
PAK-3A	1.5 mm ²	17.5	450V	M2.6X5	1~12
PAK-4AB					
PAK-5AC					
PAK-6ABC	2.5 mm ²	24.0	500V	M3.0X6	
PAK-7A					
PAK-8AB					
PAK-9AC	6.0 mm ²	41.0	500V	M3.5X7	
PAK-10ABC					
PAK-11A					
PAK-12AB	10.0 mm ²	57.0	500V	M4.0X9	
PAK-13A					
PAK-14B				M4.0X7	

PART NO	A	B	C	D	E
PAK-6ABC	17.0	13.5	8.2	2.9	2.8

南京诺金电气有限公司

Nanjing Nowking Electric Co., Ltd



产品名称：端子台

规格型号：PAK-7A

◆ MATERIAL: PA 66(UL)

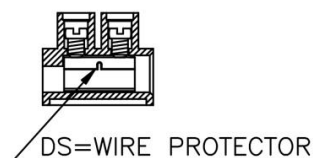
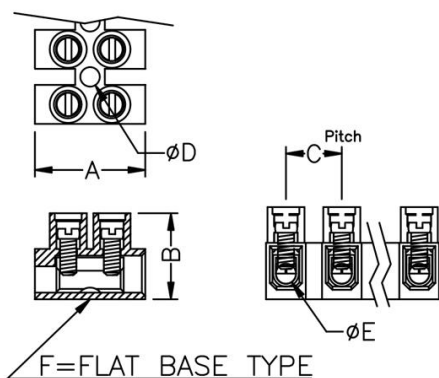
◆ FLAME CLASS: 94V-2

◆ COLOR: NATURAL

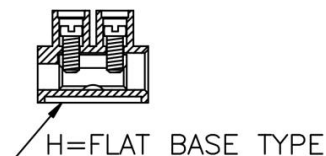
◆ UNIT: mm

用途:

PAK-7A 结构图



NOTE:
H=FLAT BASE TYPE
DS=WIRE PROTECTOR
F=FLAT BASE TYPE

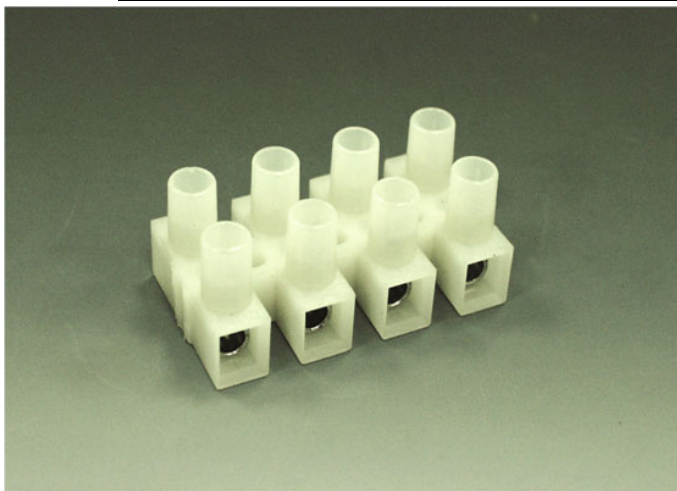


PART NO.	WIRE RANGE	AMP	VOLT	SCREW	POLES
PAK-3A	1.5 mm ²	17.5	450V	M2.6X5	1~12
PAK-4AB					
PAK-5AC					
PAK-6ABC	2.5 mm ²	24.0	500V	M3.0X6	
PAK-7A					
PAK-8AB					
PAK-9AC	6.0 mm ²	41.0	500V	M3.5X7	
PAK-10ABC					
PAK-11A					
PAK-12AB	10.0 mm ²	57.0	500V	M4.0X9	
PAK-13A					
PAK-14B				M4.0X7	

PART NO	A	B	C	D	E
PAK-7A	20.2	16.7	10.0	3.6	3.2

南京诺金电气有限公司

Nanjing Nowking Electric Co., Ltd



产品名称：端子台

规格型号：PAK-8AB

◆ MATERIAL: PA 66(UL)

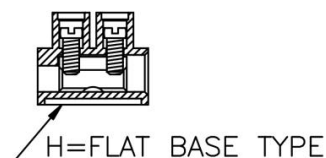
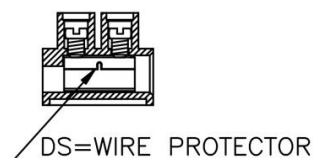
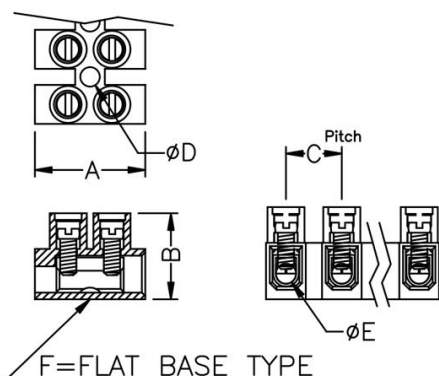
◆ FLAME CLASS: 94V-2

◆ COLOR: NATURAL

◆ UNIT: mm

用途:

PAK-8AB 结构图



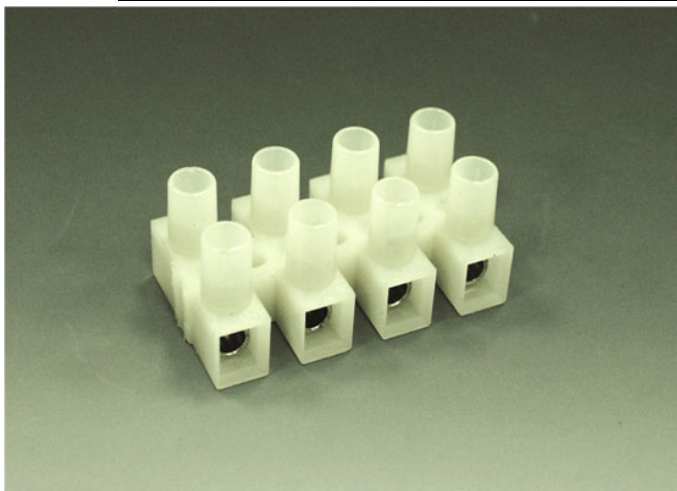
NOTE:
H=FLAT BASE TYPE
DS=WIRE PROTECTOR
F=FLAT BASE TYPE

PART NO.	WIRE RANGE	AMP	VOLT	SCREW	POLES
PAK-3A	1.5 mm ²	17.5	450V	M2.6X5	1~12
PAK-4AB					
PAK-5AC					
PAK-6ABC	2.5 mm ²	24.0	500V	M3.0X6	
PAK-7A					
PAK-8AB					
PAK-9AC	6.0 mm ²	41.0	500V	M3.5X7	
PAK-10ABC					
PAK-11A					
PAK-12AB	10.0 mm ²	57.0	500V	M4.0X9	
PAK-13A					
PAK-14B				M4.0X7	

PART NO	A	B	C	D	E
PAK-8AB	20.2	16.7	10.0	3.6	3.2

南京诺金电气有限公司

Nanjing Nowking Electric Co., Ltd



产品名称：端子台

规格型号：PAK-9AC

◆ MATERIAL: PA 66(UL)

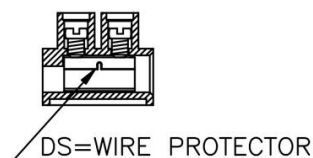
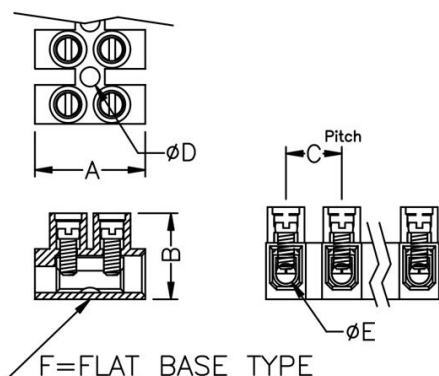
◆ FLAME CLASS: 94V-2

◆ COLOR: NATURAL

◆ UNIT: mm

用途:

PAK-9AC 结构图



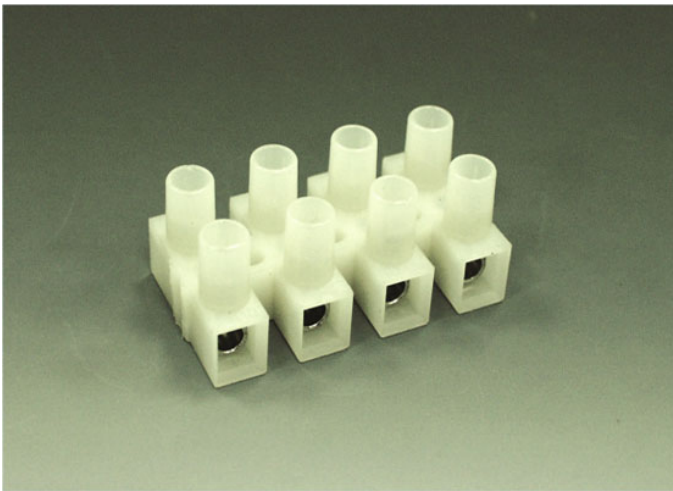
NOTE:
H=FLAT BASE TYPE
DS=WIRE PROTECTOR
F=FLAT BASE TYPE

PART NO.	WIRE RANGE	AMP	VOLT	SCREW	POLES
PAK-3A	1.5 mm ²	17.5	450V	M2.6X5	1~12
PAK-4AB					
PAK-5AC					
PAK-6ABC	2.5 mm ²	24.0	500V	M3.0X6	
PAK-7A					
PAK-8AB					
PAK-9AC	6.0 mm ²	41.0	500V	M3.5X7	
PAK-10ABC					
PAK-11A					
PAK-12AB	10.0 mm ²	57.0	500V	M4.0X9	
PAK-13A					
PAK-14B				M4.0X7	

PART NO	A	B	C	D	E
PAK-9AC	20.2	16.2	10.0	3.6	3.2

南京诺金电气有限公司

Nanjing Nowking Electric Co., Ltd



产品名称：端子台

规格型号：PAK-11A

◆ MATERIAL: PA 66(UL)

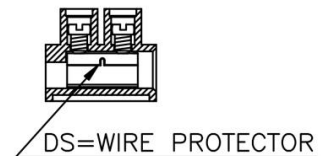
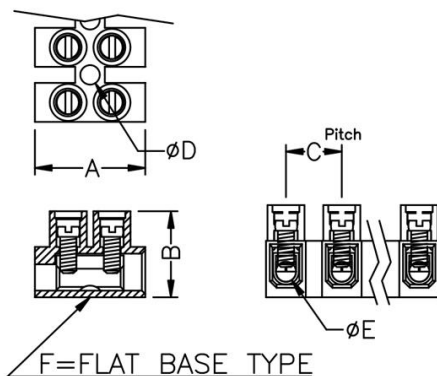
◆ FLAME CLASS: 94V-2

◆ COLOR: NATURAL

◆ UNIT: mm

用途:

PAK-11A 结构图



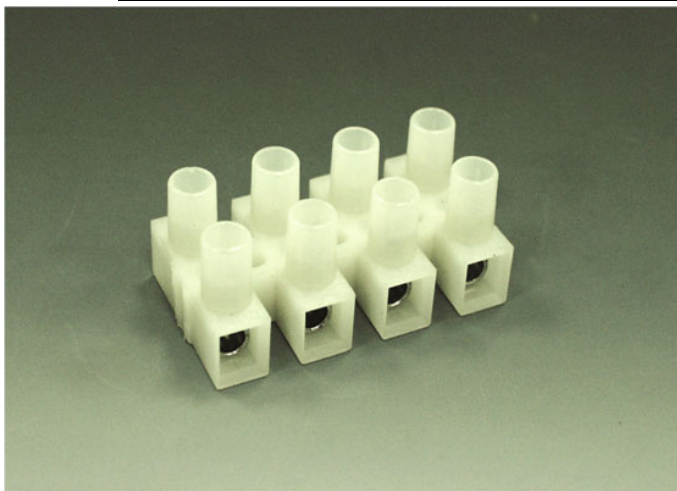
NOTE:
H=FLAT BASE TYPE
DS=WIRE PROTECTOR
F=FLAT BASE TYPE

PART NO.	WIRE RANGE	AMP	VOLT	SCREW	POLES
PAK-3A	1.5 mm ²	17.5	450V	M2.6X5	1~12
PAK-4AB					
PAK-5AC					
PAK-6ABC	2.5 mm ²	24.0	500V	M3.0X6	
PAK-7A					
PAK-8AB					
PAK-9AC	6.0 mm ²	41.0	500V	M3.5X7	
PAK-10ABC					
PAK-11A					
PAK-12AB	10.0 mm ²	57.0	500V	M4.0X9	
PAK-13A					
PAK-14B				M4.0X7	

PART NO	A	B	C	D	E
PAK-11A	23.8	19.0	12.0	3.9	4.2

南京诺金电气有限公司

Nanjing Nowking Electric Co., Ltd



产品名称：端子台

规格型号：PAK-12AB

◆ MATERIAL: PA 66(UL)

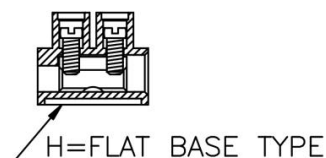
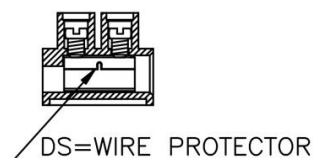
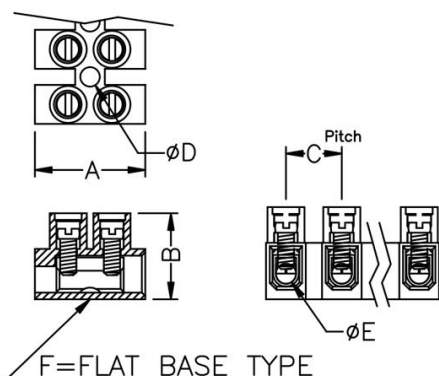
◆ FLAME CLASS: 94V-2

◆ COLOR: NATURAL

◆ UNIT: mm

用途:

PAK-12AB 结构图



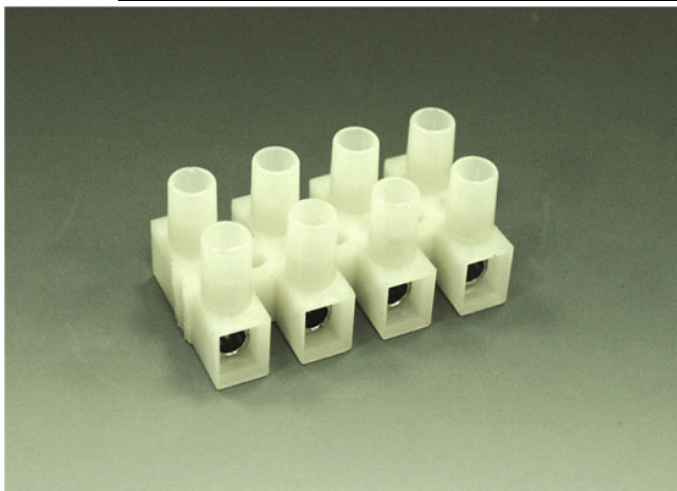
NOTE:
H=FLAT BASE TYPE
DS=WIRE PROTECTOR
F=FLAT BASE TYPE

PART NO.	WIRE RANGE	AMP	VOLT	SCREW	POLES
PAK-3A	1.5 mm ²	17.5	450V	M2.6X5	1~12
PAK-4AB					
PAK-5AC					
PAK-6ABC	2.5 mm ²	24.0	500V	M3.0X6	
PAK-7A					
PAK-8AB					
PAK-9AC	6.0 mm ²	41.0	500V	M3.5X7	
PAK-10ABC					
PAK-11A					
PAK-12AB	10.0 mm ²	57.0	500V	M4.0X9	
PAK-13A					
PAK-14B					

PART NO	A	B	C	D	E
PAK-12AB	23.8	19.0	12.0	3.9	4.2

南京诺金电气有限公司

Nanjing Nowking Electric Co., Ltd



产品名称：端子台

规格型号：PAK-13A

◆ MATERIAL: PA 66(UL)

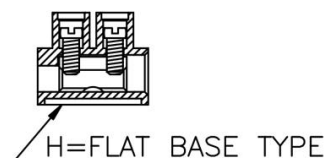
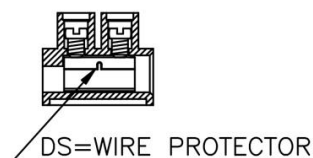
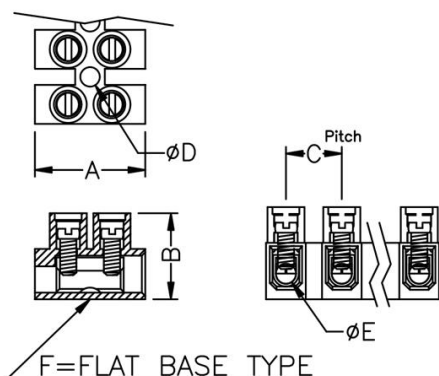
◆ FLAME CLASS: 94V-2

◆ COLOR: NATURAL

◆ UNIT: mm

用途:

PAK-13A 结构图



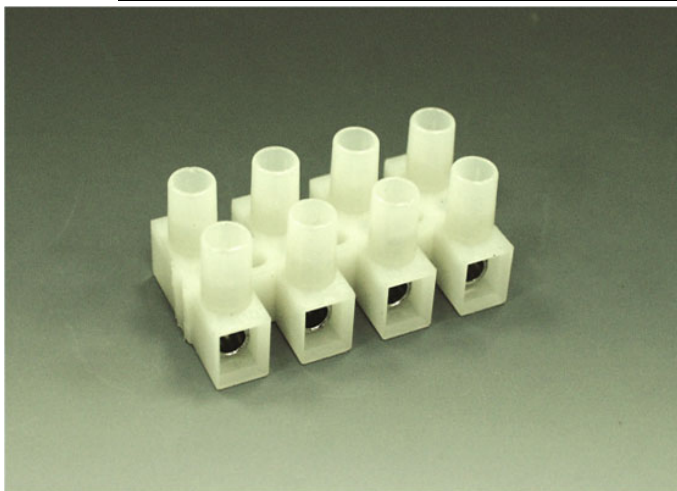
NOTE:
H=FLAT BASE TYPE
DS=WIRE PROTECTOR
F=FLAT BASE TYPE

PART NO.	WIRE RANGE	AMP	VOLT	SCREW	POLES
PAK-3A	1.5 mm ²	17.5	450V	M2.6X5	1~12
PAK-4AB					
PAK-5AC					
PAK-6ABC					
PAK-7A	2.5 mm ²	24.0	500V	M3.0X6	
PAK-8AB					
PAK-9AC					
PAK-10ABC					
PAK-11A	6.0 mm ²	41.0	500V	M3.5X7	
PAK-12AB					
PAK-13A	10.0 mm ²	57.0	500V	M4.0X9	
PAK-14B				M4.0X7	

PART NO	A	B	C	D	E
PAK-13A	25.6	25.0	13.5	4.4	5.0

南京诺金电气有限公司

Nanjing Nowking Electric Co., Ltd



产品名称：端子台

规格型号：PAK-14B

◆ MATERIAL: PA 66(UL)

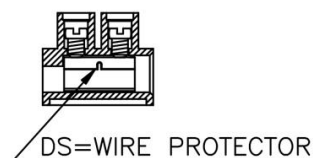
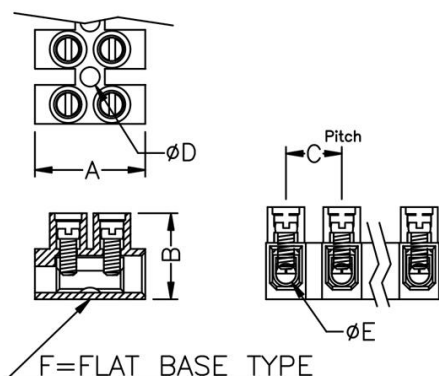
◆ FLAME CLASS: 94V-2

◆ COLOR: NATURAL

◆ UNIT: mm

用途:

PAK-14B 结构图



NOTE:
H=FLAT BASE TYPE
DS=WIRE PROTECTOR
F=FLAT BASE TYPE

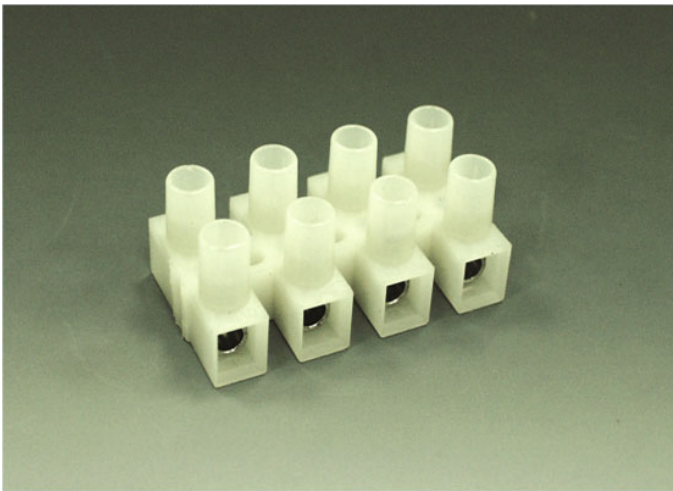


PART NO.	WIRE RANGE	AMP	VOLT	SCREW	POLES
PAK-3A	1.5 mm ²	17.5	450V	M2.6X5	1~12
PAK-4AB					
PAK-5AC					
PAK-6ABC	2.5 mm ²	24.0	500V	M3.0X6	
PAK-7A					
PAK-8AB					
PAK-9AC	6.0 mm ²	41.0	500V	M3.5X7	
PAK-10ABC					
PAK-11A					
PAK-12AB	10.0 mm ²	57.0	500V	M4.0X9	
PAK-13A					
PAK-14B				M4.0X7	

PART NO	A	B	C	D	E
PAK-14B	25.6	25.0	13.5	4.4	5.0

南京诺金电气有限公司

Nanjing Nowking Electric Co., Ltd



产品名称：端子台

规格型号：PAK-15A

◆ MATERIAL: PA 66(UL)

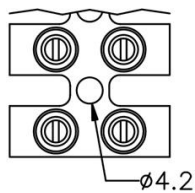
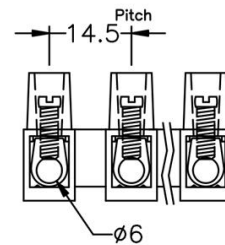
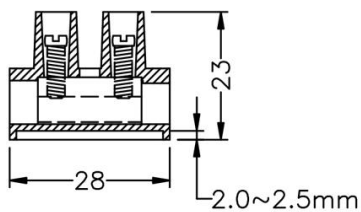
◆ FLAME CLASS: 94V-2

◆ COLOR: NATURAL

◆ UNIT: mm

用途:

PAK-15A 结构图



PART NO.	WIRE RANGE	AMP	VOLT	SCREW	POLES
PAK-15A	16 mm ²	76	500V	M4.0X9	1~12

PART NO	A	B	C	D	E
PAK-15A	28.1	23.0	14.5	4.2	6.0