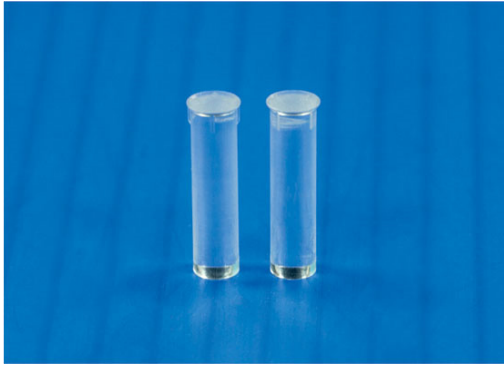


LED导光柱 LED PIPE



用途：使LED导光于机壳面板上，使光度均匀、柔和。

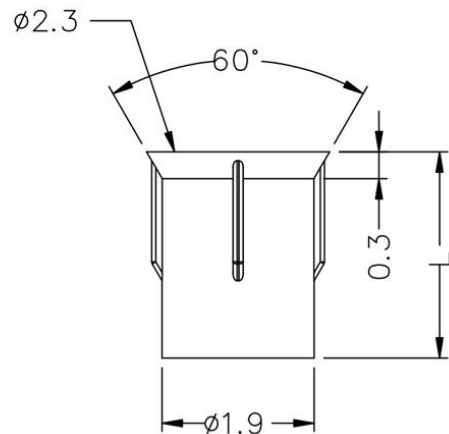
MATERIAL : PC

COLOR : TRANSPARENT

UNIT : mm

2

PART NO	L	PACKAGE
LEDLP-188	2.5	2000
LEDLP-189	4.8	2000
LEDLP-190	7.0	2000
LEDLP-191	8.0	2000
LEDLP-192	10.0	2000
LEDLP-230	3.2	2000
LEDLP-231	9.0	2000
LEDLP-253	4.0	2000
LEDLP-277	2.0	2000
LEDLP-278	3.0	2000
LEDLP-279	6.40	2000



MOUNTING HOLE $\phi 1.98\text{mm}$

LED导光柱 LED PIPE



用途：使LED导光于机壳面板上，使光度均匀、柔和。

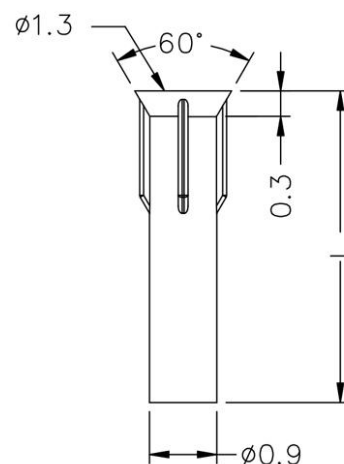
MATERIAL : PC

FLAME CLASS : 94V-0,94V-2

COLOR : TRANSPARENT

UNIT : mm

PART NO	L	PACKAGE
LEDLP-193	2.5	2000
LEDLP-194	5.0	2000
LEDLP-195	12.7	2000
LEDLP-232	3.0	2000
LEDLP-254	4.8	2000



MOUNTING HOLE $\phi 1.02$