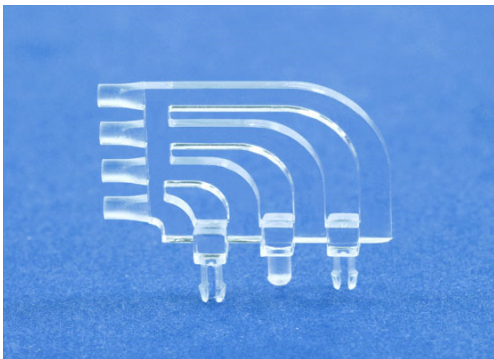


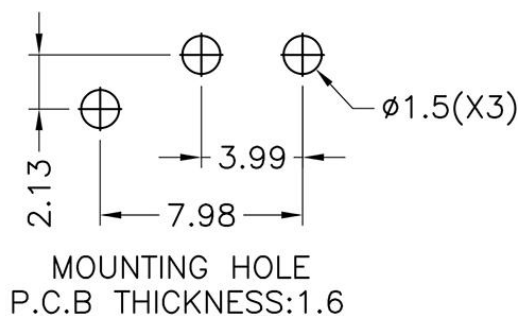
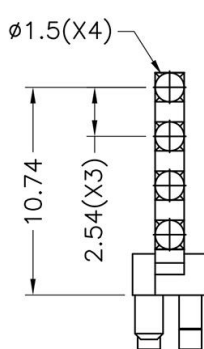
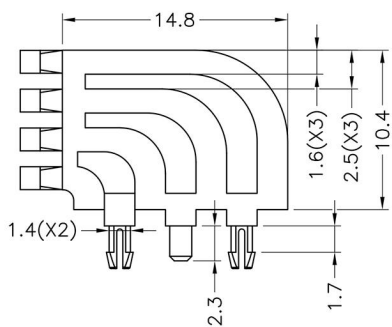
# LED导光柱 LED PIPE



用途：使S.M.T LED导光于机壳面板上，使光度均匀、柔和。

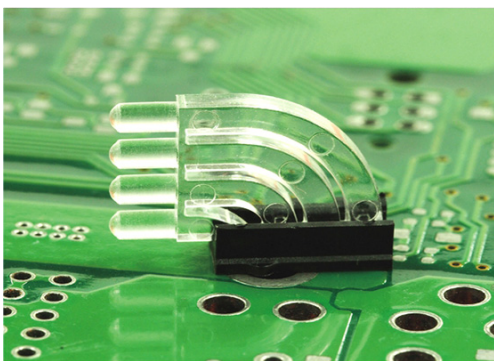
MATERIAL : PC(UL)  
 FLAME CLASS : 94V-0  
 COLOR : TRANSPARENT  
 UNIT : mm

2



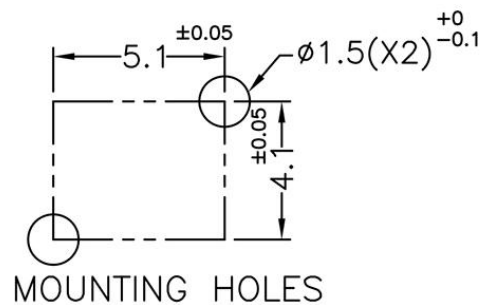
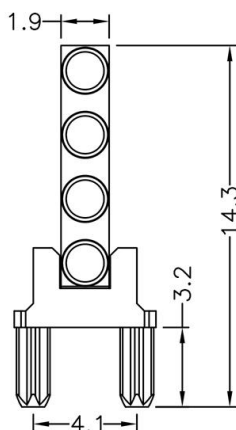
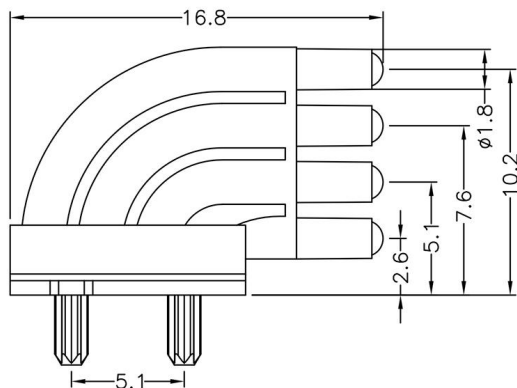
PART NO	PACKAGE
LEDLP-134	1000

# LED导光柱 LED PIPE



用途：使S.M.T LED导光于机壳面板上，使光度均匀、柔和。

MATERIAL 1: PC(UL)  
 FLAME CLASS 1: 94V-0  
 COLOR 1: TRANSPARENT  
 MATERIAL 2: NYLON 66(UL)  
 FLAME CLASS 2: 94V-0  
 COLOR 2: BLACK  
 UNIT: mm



PART NO	PACKAGE
LEDLP-135	1000