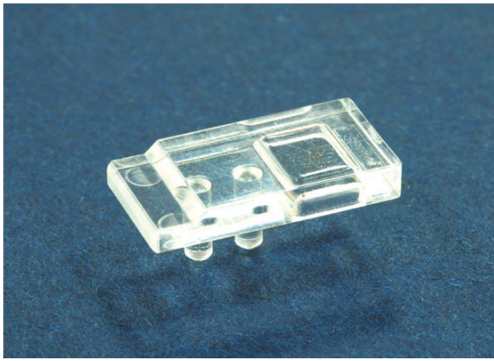


# LED导光柱 LED PIPE



用途：使LED导光于机壳面板上，使光度均匀、柔和

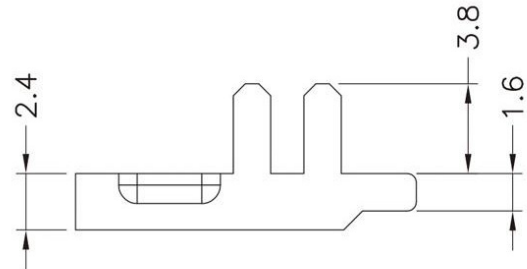
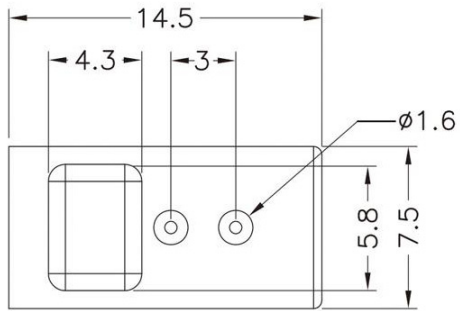
MATERIAL : PC(UL)

FLAME CLASS : 94V-0,94V-2

COLOR : TRANSPARENT

UNIT : mm

2



PART NO	PACKAGE
LEDLP-102	1000

# LED导光柱 LED PIPE



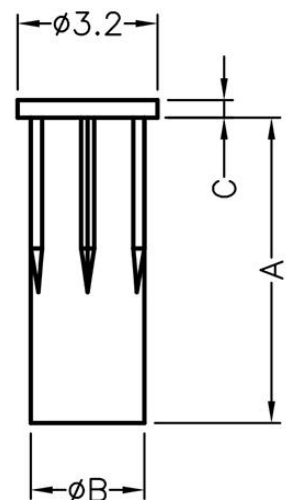
用途：使 LED 导光于机壳面板上，使光度均匀、柔和

MATERIAL : PC(UL)

FLAME CLASS : 94V-0,94V-2

COLOR : TRANSPARENT

UNIT : mm



PART NO	A	B	C	D	PACKAGE
LEDLP-103	7.0	2.6	0.4	3.0	2000
LEDLP-145	25.0	2.6	0.4	3.0	2000
LEDLP-146	10.05	2.5	0.45	2.8	2000
LEDLP-273	4.8	2.6	0.4	3.0	2000
LEDLP-222	11.0	2.6	0.45	2.8	2000

MOUNTING HOLE  $\phi D$